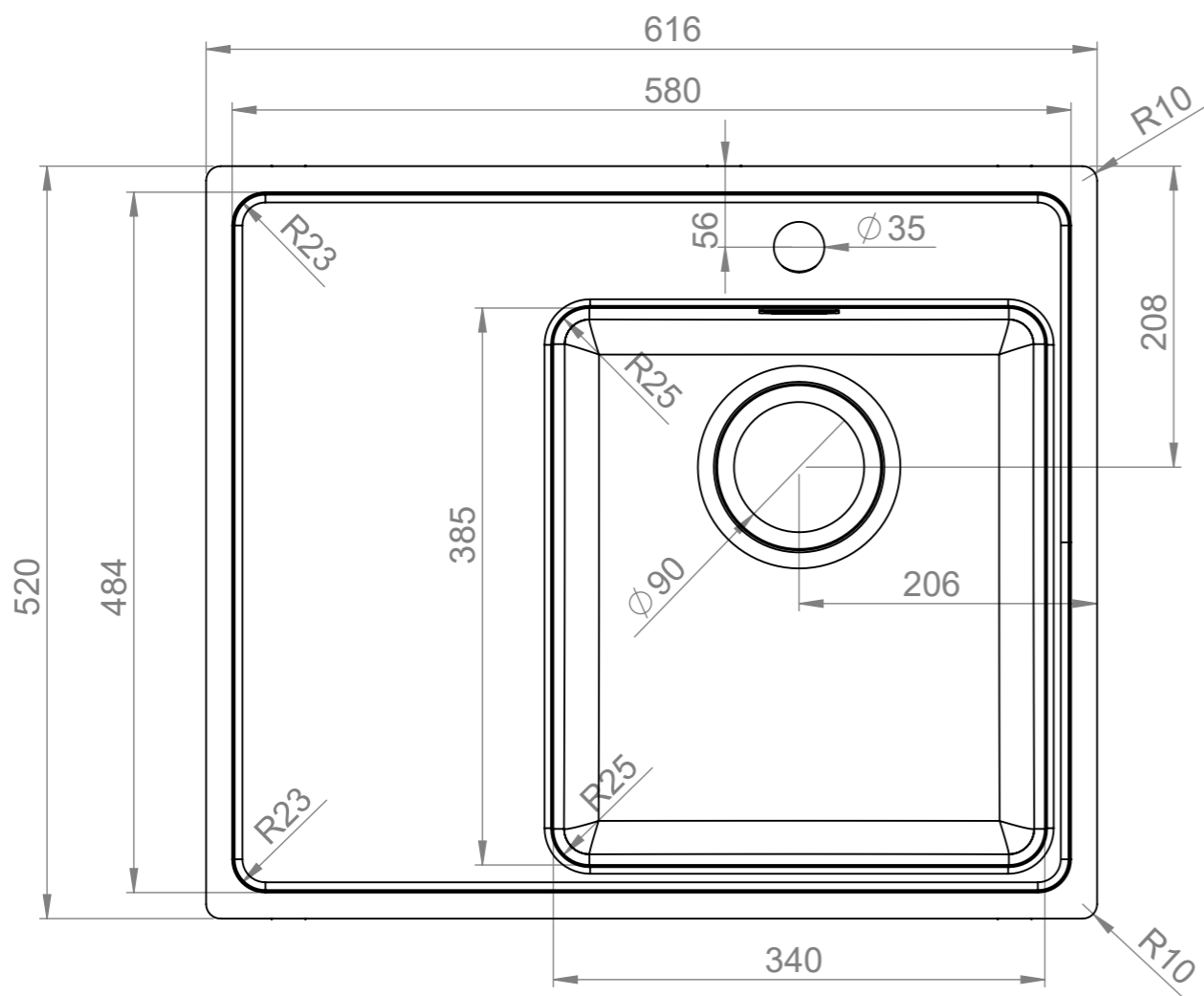
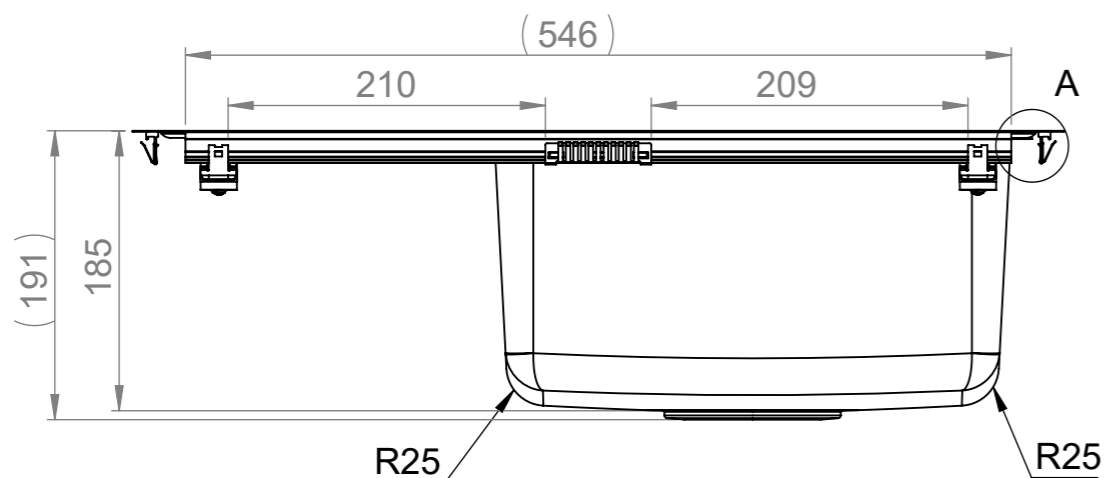
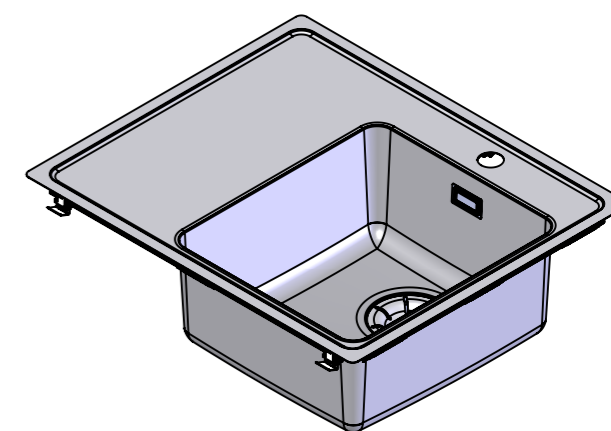
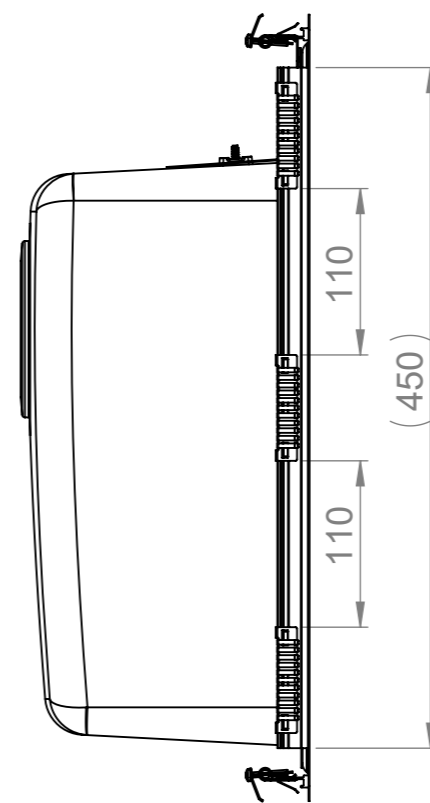
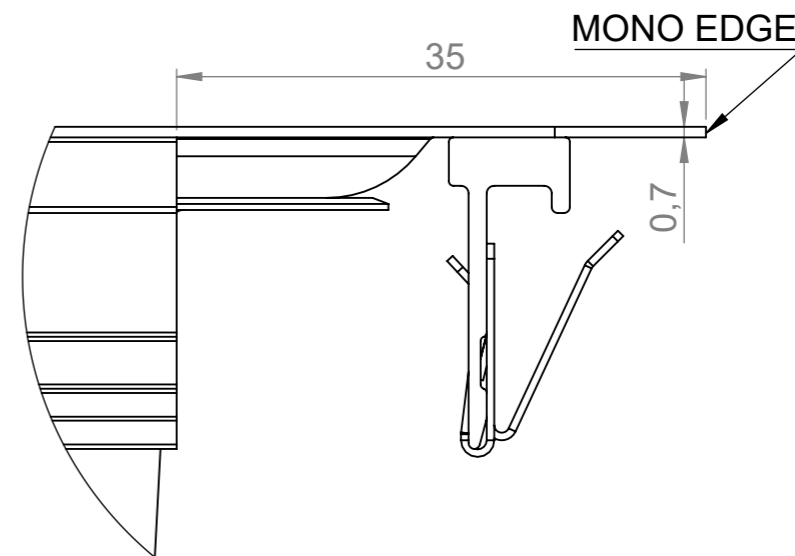


MAIN DIMENSIONS



DETAIL A
SCALE 2 : 1



Change description	Date	Designed by
--------------------	------	-------------

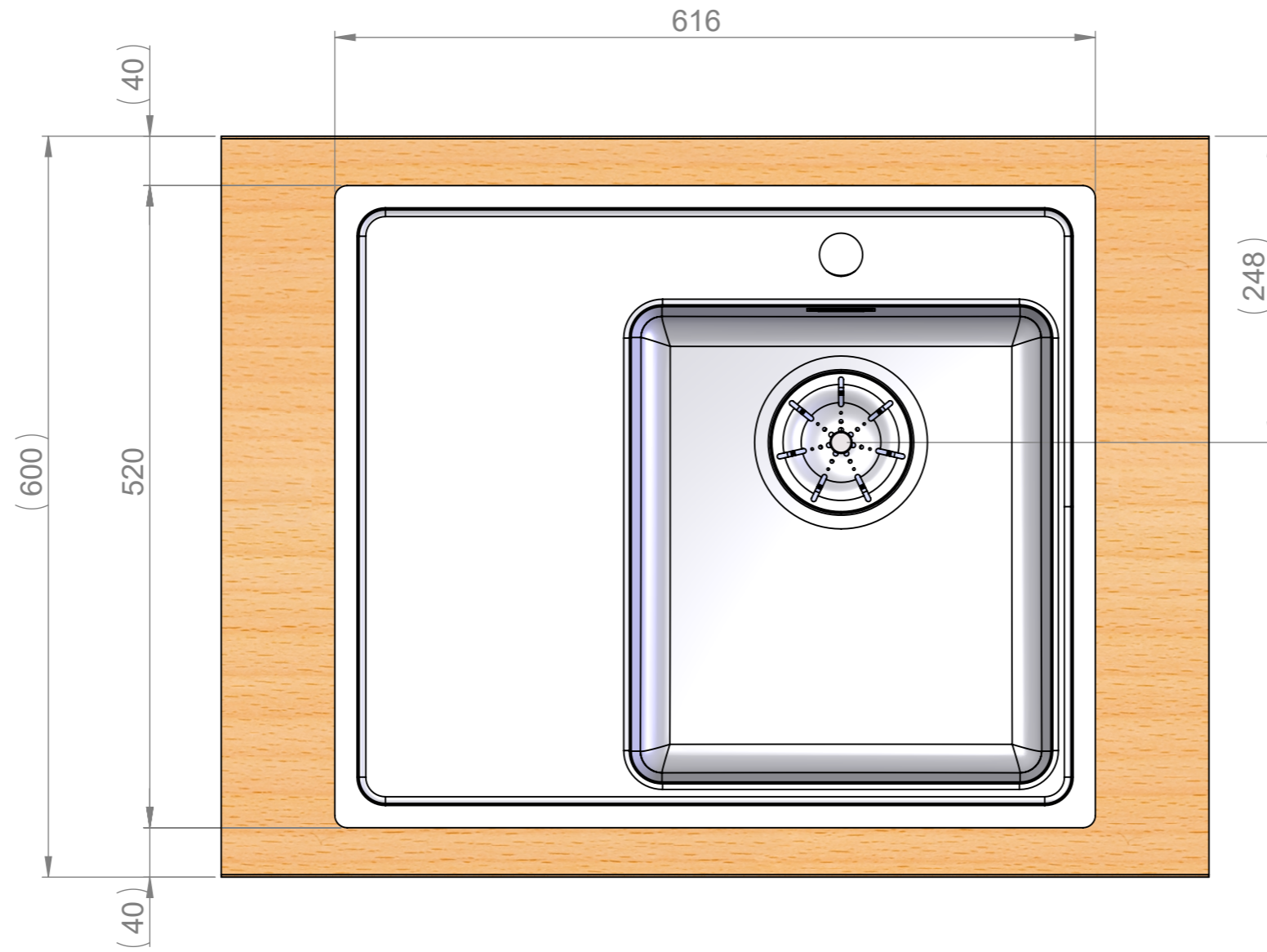
	Mass	kg	General tolerance	Designed by	Date
	Size	Scale	Item	PJ	03.03.2023
	A3	1:5	Description	Approved by	Date
	ONE-TDL34	Technical Data Sheet	VS	08.08.2023	
	Drawing number		19603	Sheet/sheets	1/6
				Rev	A

WORKTOP ASSEMBLY

Change description

Date

Designed by



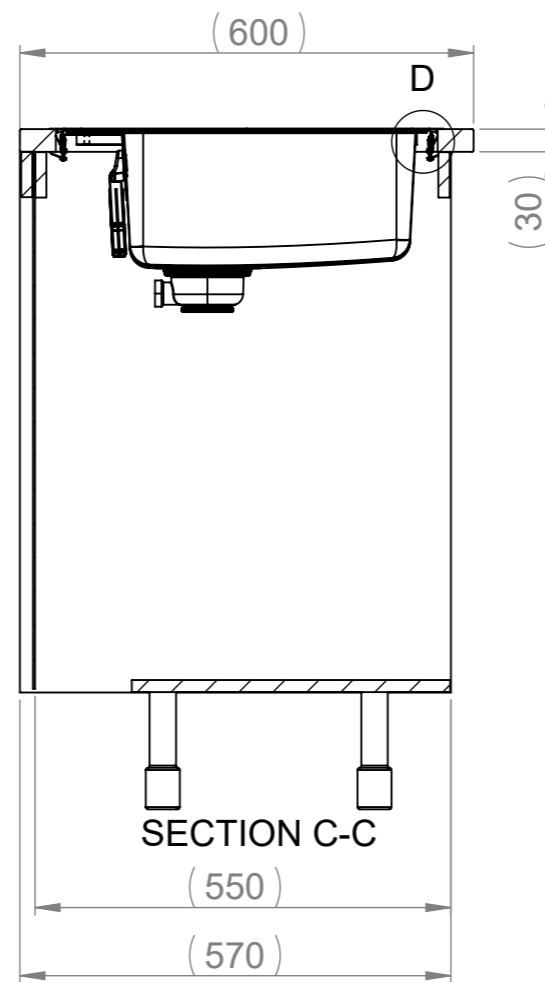
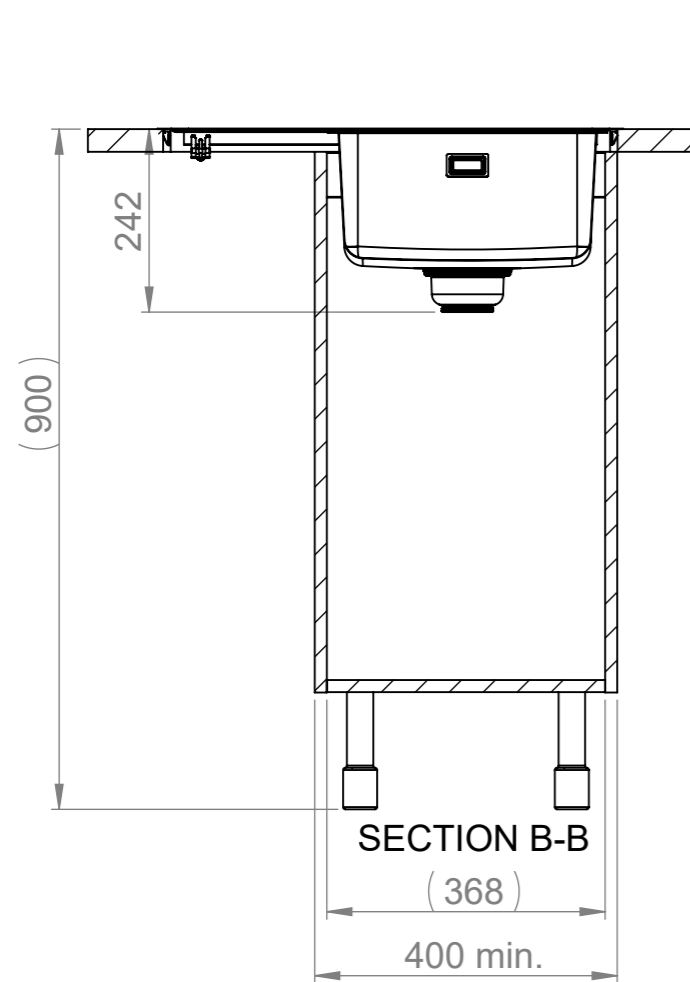
	Mass	kg	General tolerance	Designed by	Date
	Size	Scale	Item	PJ	03.03.2023
 STALA Member of ALVEUS	A3	1:5	Description	Approved by	Date
			ONE-TDL34	VS	08.08.2023
			Technical Data Sheet	Drawing number	Sheet/sheets
			19603	2/6	Rev
				A	

SPACE REQUIREMENTS

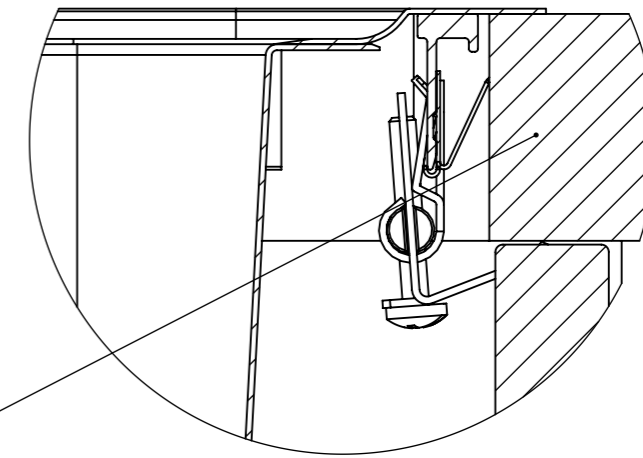
Change description

Date

Designed by



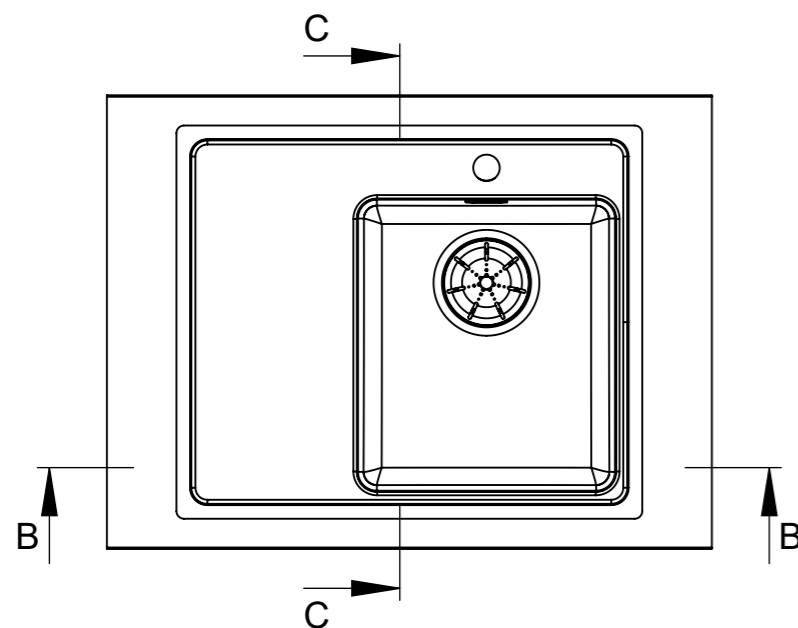
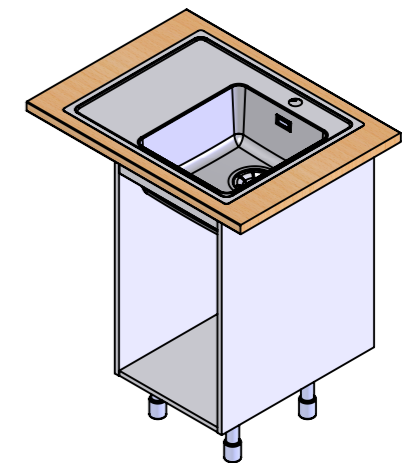
DETAIL D
SCALE 1 : 1



Huom!
Tarvittaessa kaapin väliseinää ja etu/takalistaa lovetettava kiinnikkeitä varten ja pesuallas on kiinnitettävä ennen työtason asennusta.

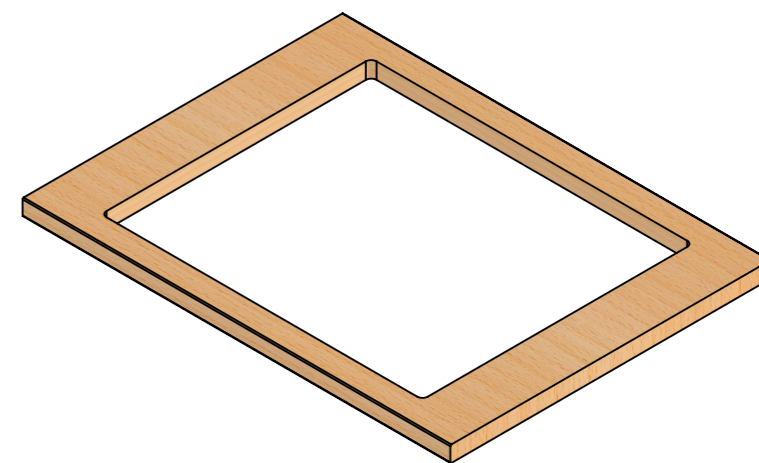
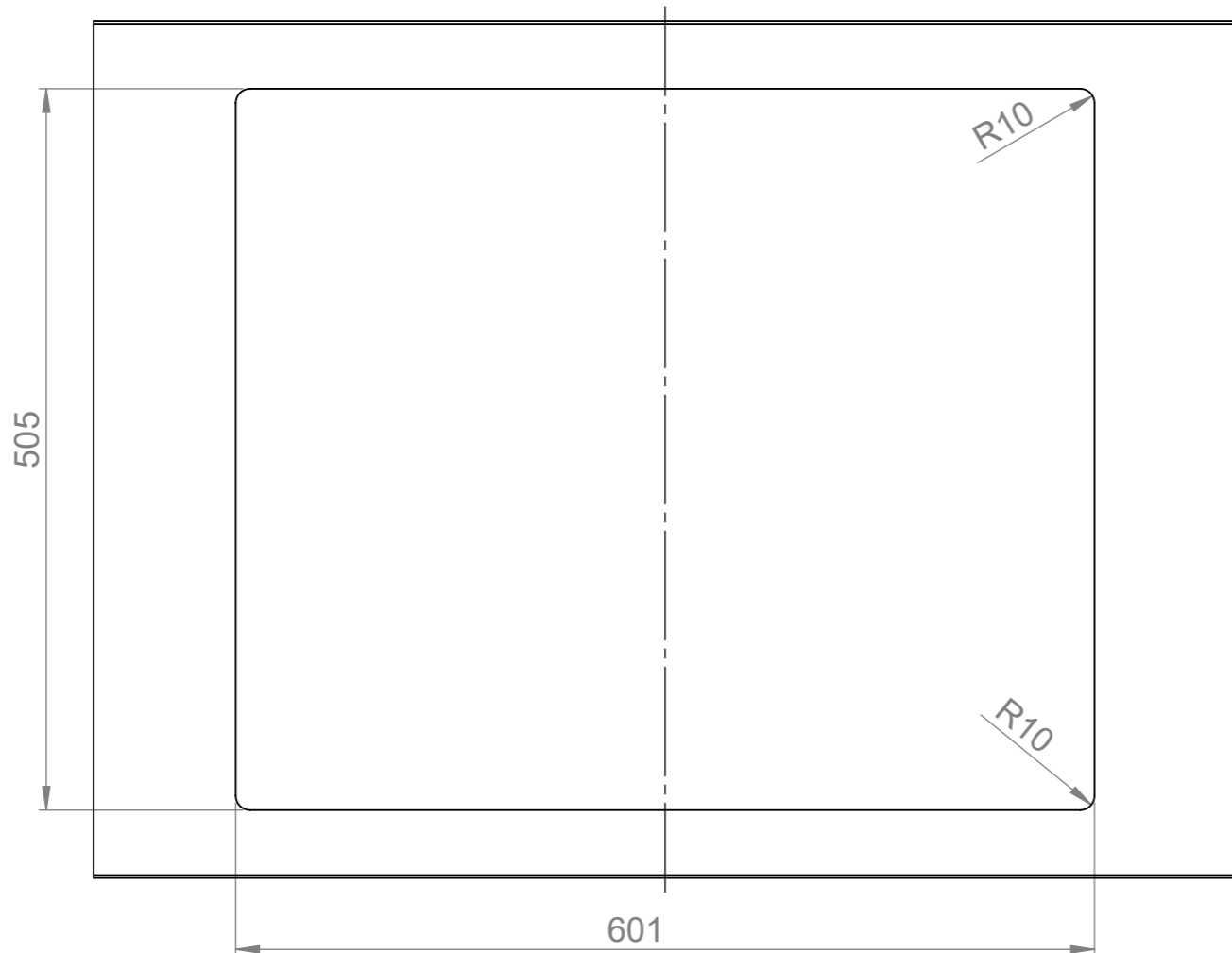
Obs!
Vid behov måste en inskärning för höfastena göras i skåpets mellanvägg och förbindningslist och diskbänken måste fästas innan du monterar bänkskivan.

Notice!
The partition walls and front/back list of the cupboard must be notched for the sink mountings when needed and the sink must be fastened before installing the worktop.



	Mass	kg	General tolerance	Designed by	Date
	Size	Scale	Item	PJ	03.03.2023
	A3	1:10	Description	Approved by	Date
	ONE-TDL34	VS	ONE-TDL34	VS	08.08.2023
	Technical Data Sheet		Drawing number	Sheet/sheets	
	19603		19603	3/6	
				Rev	A

CUT-OUT



Change description						Date	Designed by
--------------------	--	--	--	--	--	------	-------------

	Mass	kg	General tolerance	Designed by	Date
	Size	Scale	Item	Approved by	Date
			Description	Drawing number	Sheet/sheets
Member of			ONE-TDL34	19603	4/6
Technical Data Sheet				Rev	A

